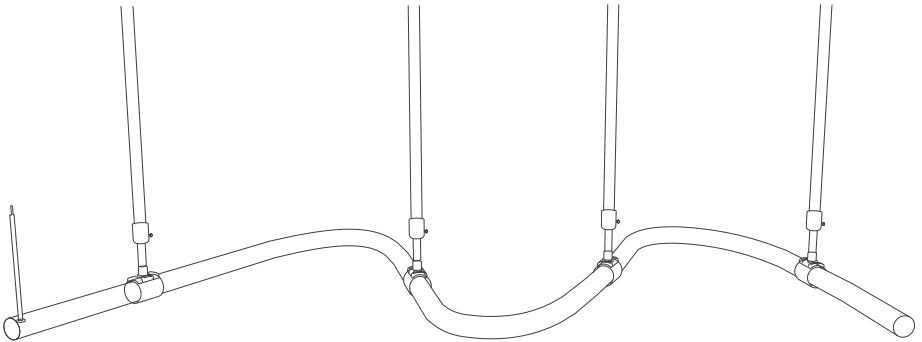


Installation Manual

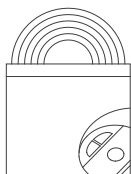
NNR25 shapeable accessories

V1.1



Please read this manual carefully before installation, and install the product in the correct way.
Please keep it after reading, so that all users of this product can check it at any time.

Prepare materials



Neon strip



Manual



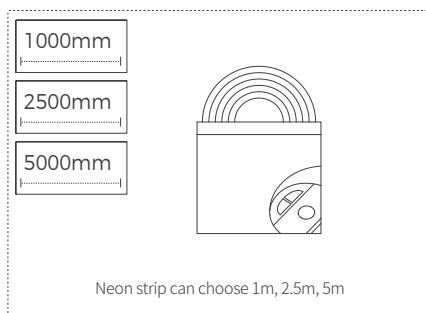
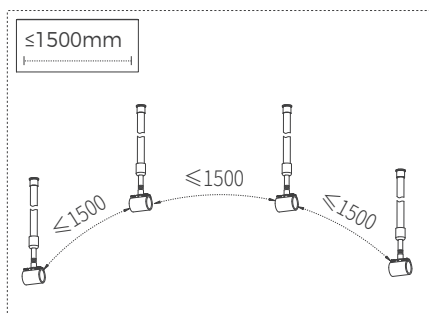
Rubber plug screw



Modeling accessories



Telescopic boom



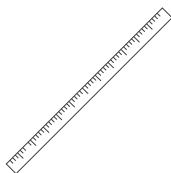
Installation tools



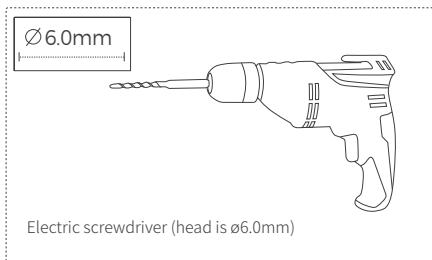
Phillips
screwdriver



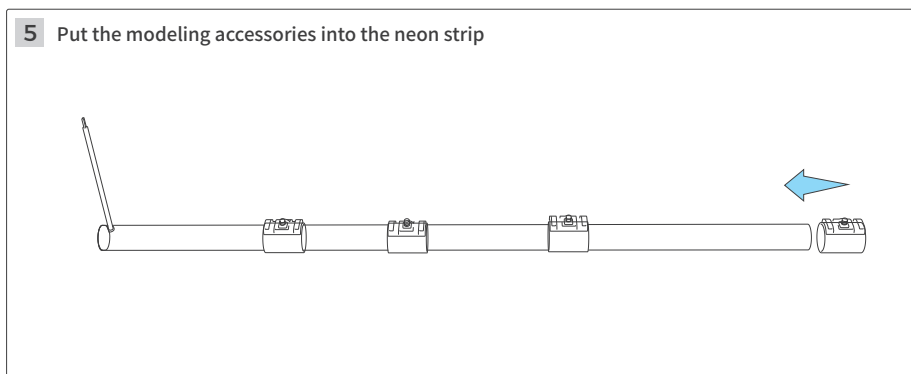
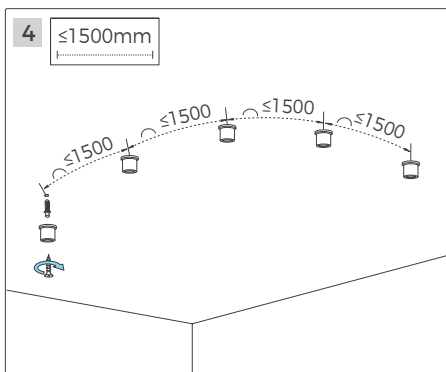
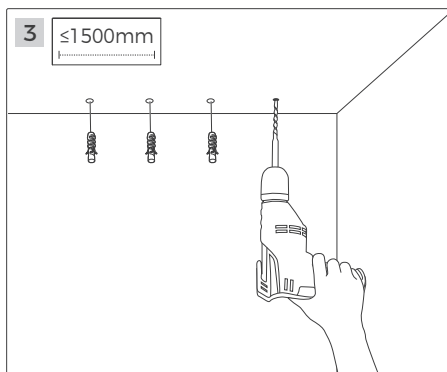
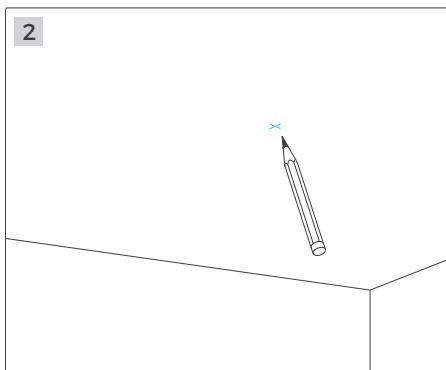
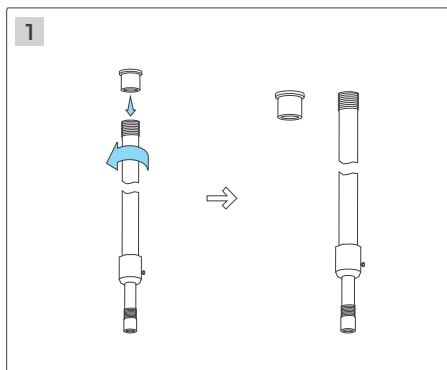
Pen



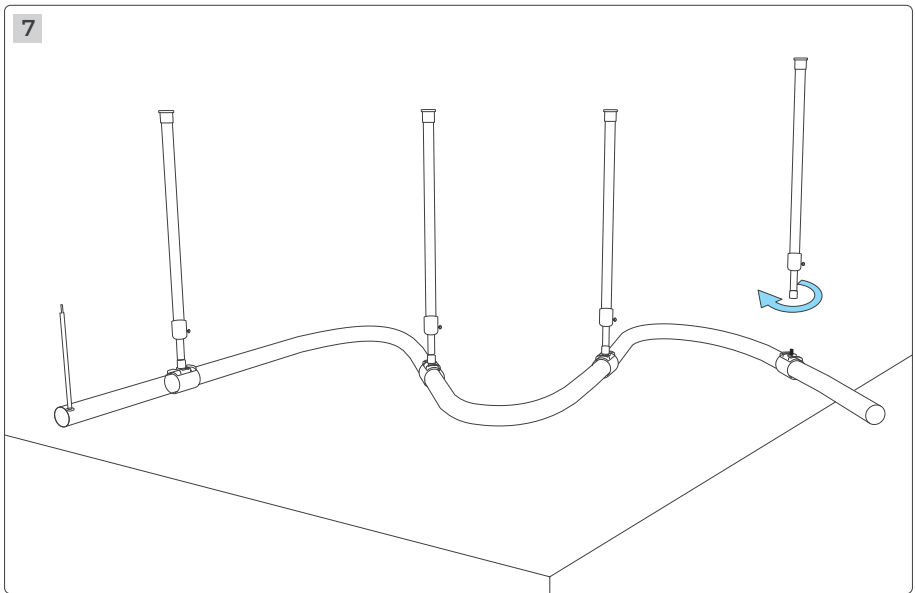
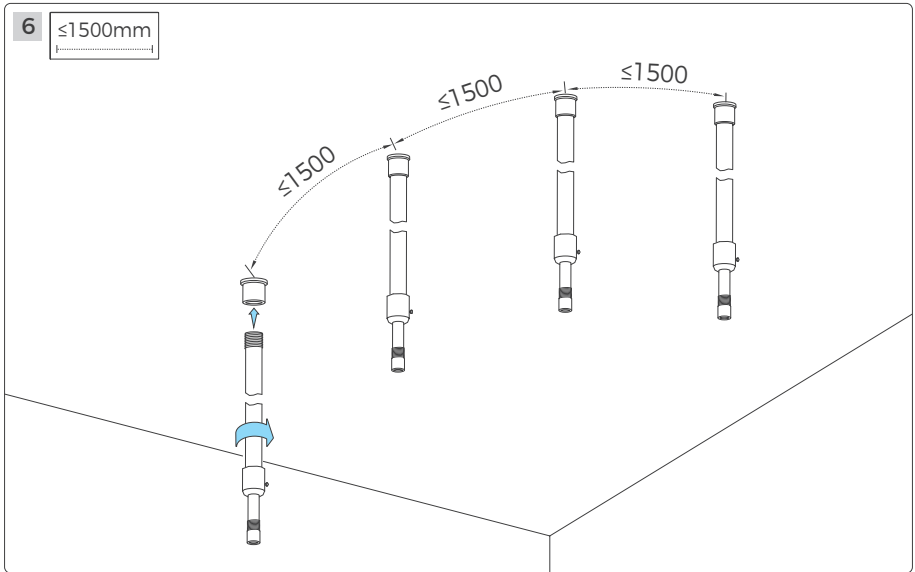
Tape measure



Installation Steps

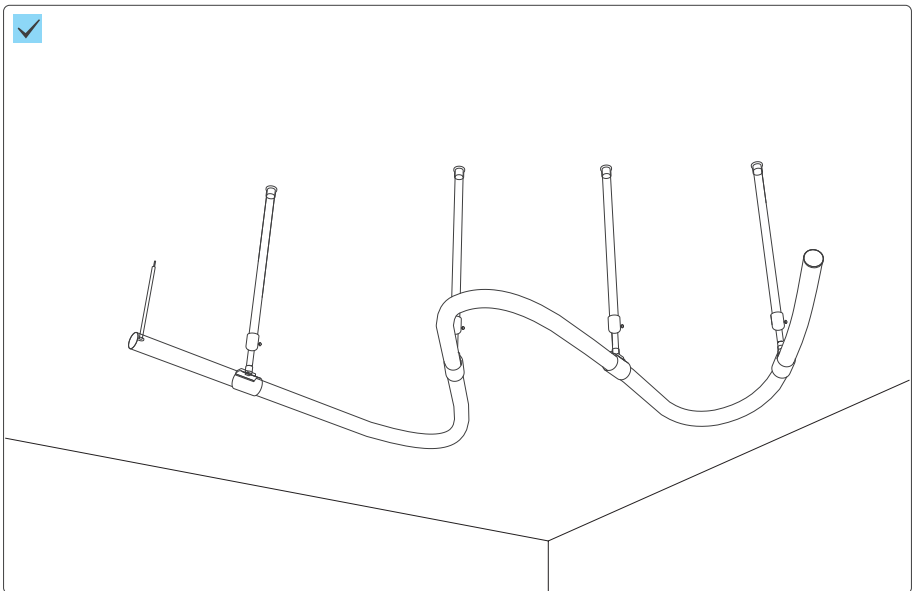
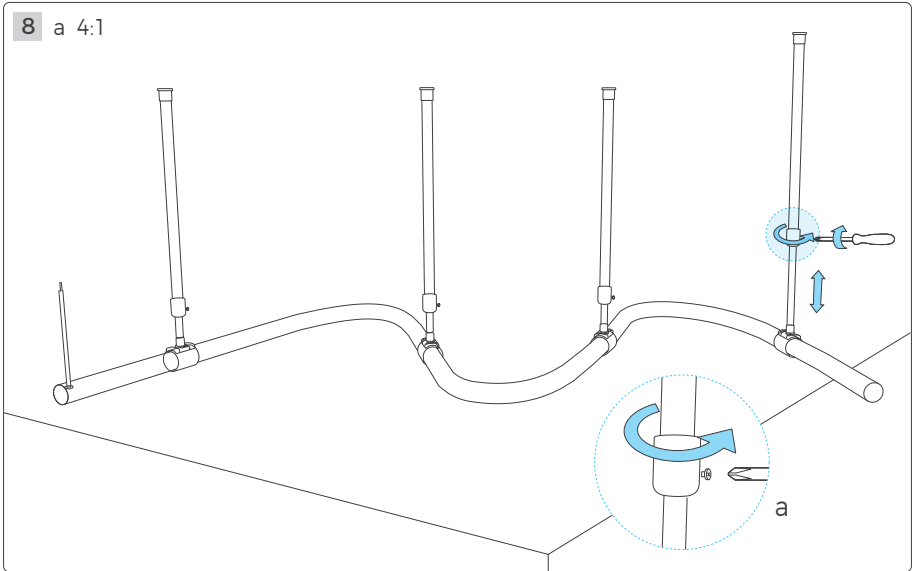


Installation Steps



Installation Steps

8 a 4:1





Parameters

Code	Wire length	Load bearing	Outlet	Adaptation model
				NNR25-XXCSN050CC0100
AS-NNR25DHX-0038	/	4kg	Side	NNR25-XXCSN050CC0250
				NNR25-XXCSN050CC0500



Tel: +86-755-2923-1888
E-mail: colors@colorsled.com
Web: www.colorsled.com
Add: Building A5, Qixing Wisdom Park, Shiyan Youth Road,
Bao'an District, Shenzhen, China

